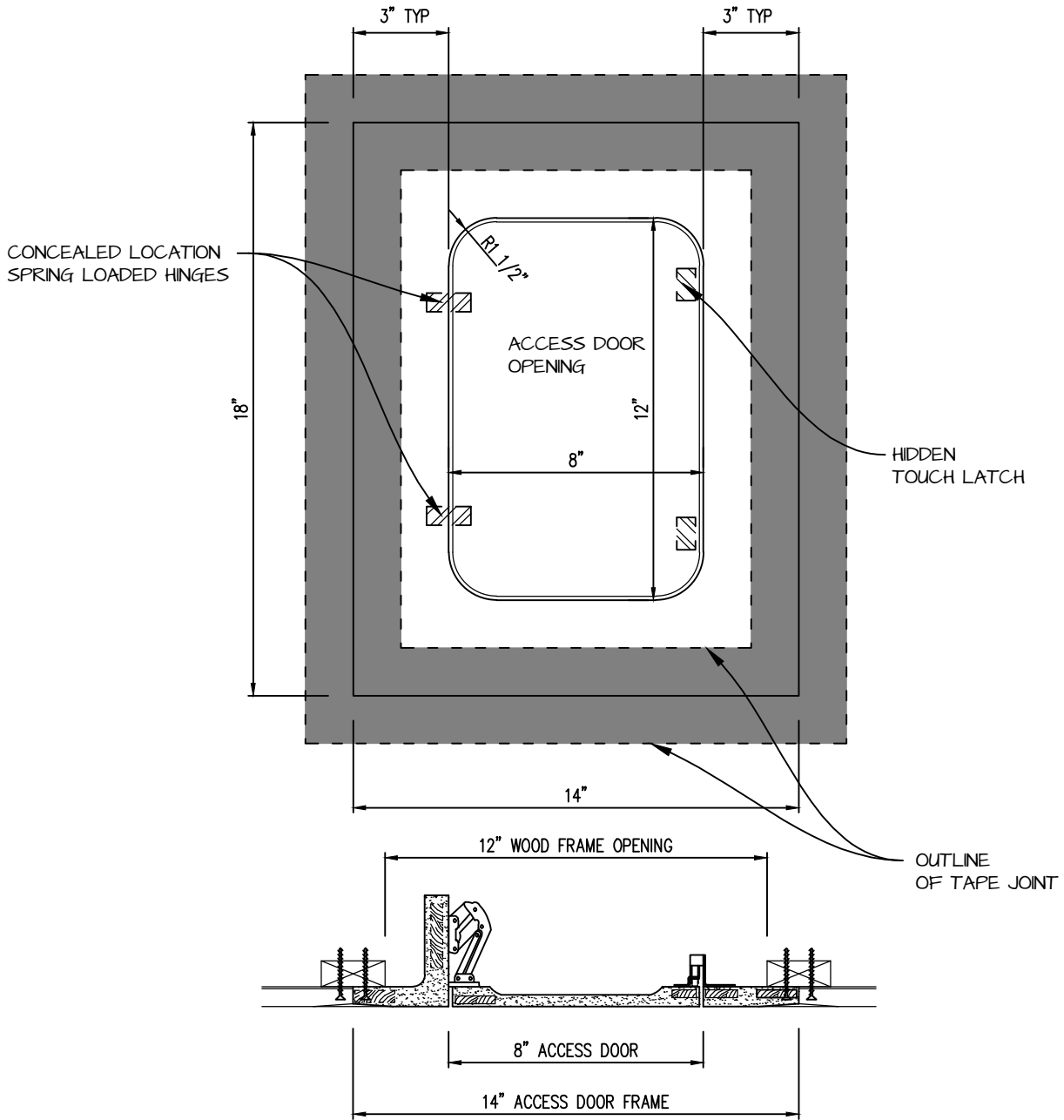



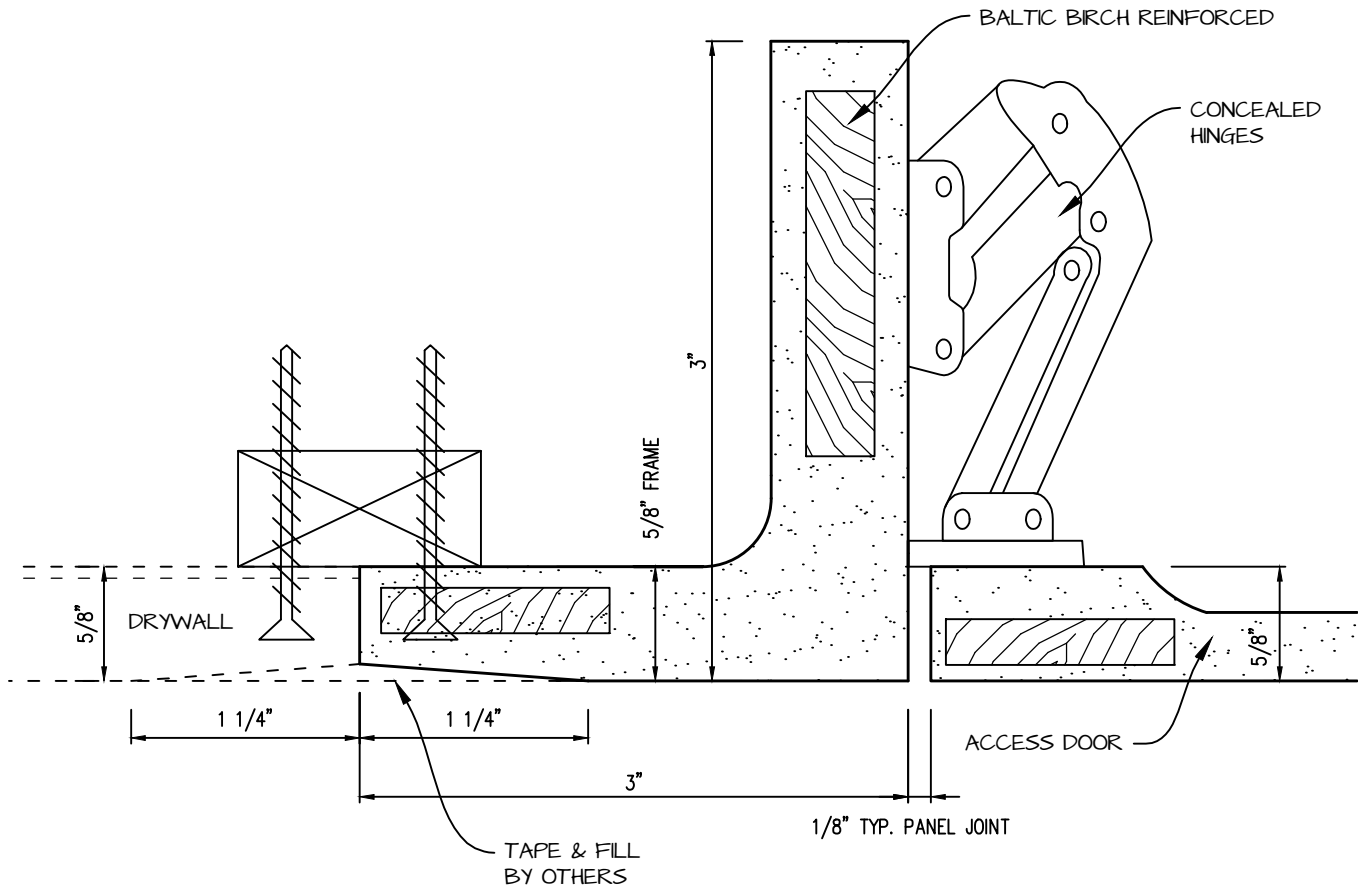
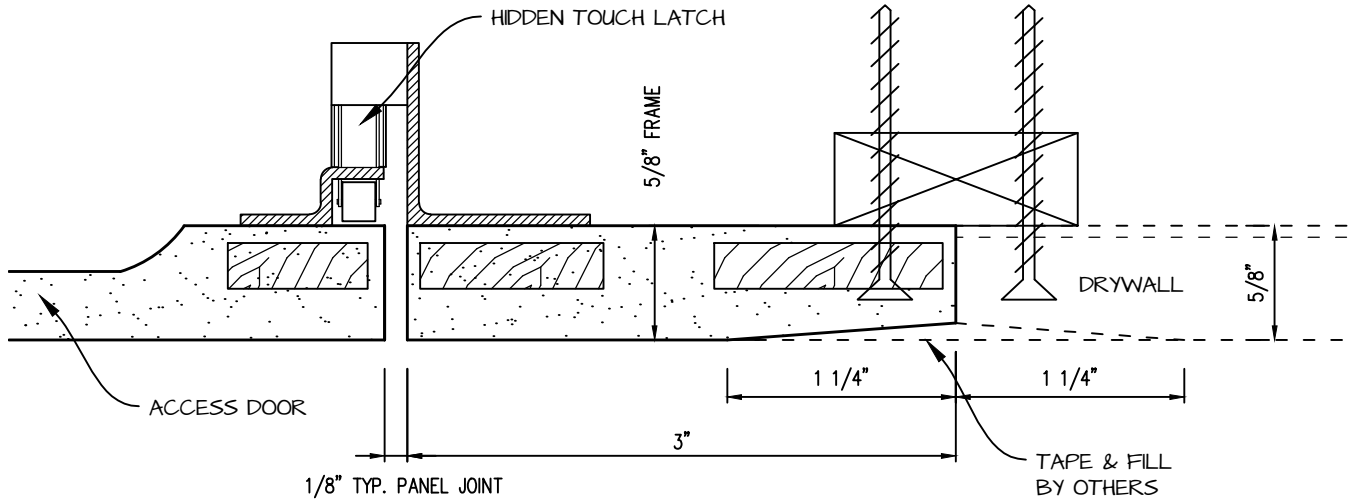
# HINGED RADIUS CORNER ACCESS PANEL 8"x12"


## GFRG-HG-RC-580812 (TL)



 <b>CASTLE</b> <sup>™</sup> <small>Access Panels &amp; Forms Inc.</small>	<b>CASTLE ACCESS PANELS &amp; FORMS INC.</b> 173 Adesso Drive, Unit 2, Concord ON L4K 3C3 Phone (905)738-8089 Fax (905)760-9234 inquiries@castleaccesspanels.com <a href="http://www.CastleAccessPanels.com">www.CastleAccessPanels.com</a>	DESIGNED: Q.P
		DATE:
		APPROVED: J.R
CUSTOMER:	PROJECT:	QTY:
TITLE:	DWG NO:	SHEET OF

# HINGED GFRG ACCESS PANEL SECTION



 CASTLE™ Access Panels & Forms Inc.	<b>CASTLE ACCESS PANELS &amp; FORMS INC.</b> 173 Adesso Drive, Unit 2, Concord ON L4K 3C3 Phone (905)738-8089 Fax (905)760-9234 inquiries@castleaccesspanels.com www.CastleAccessPanels.com	DESIGNED: Q.P. DATE:
	CUSTOMER:	PROJECT:
TITLE:	DWG NO:	QTY: SHEET OF