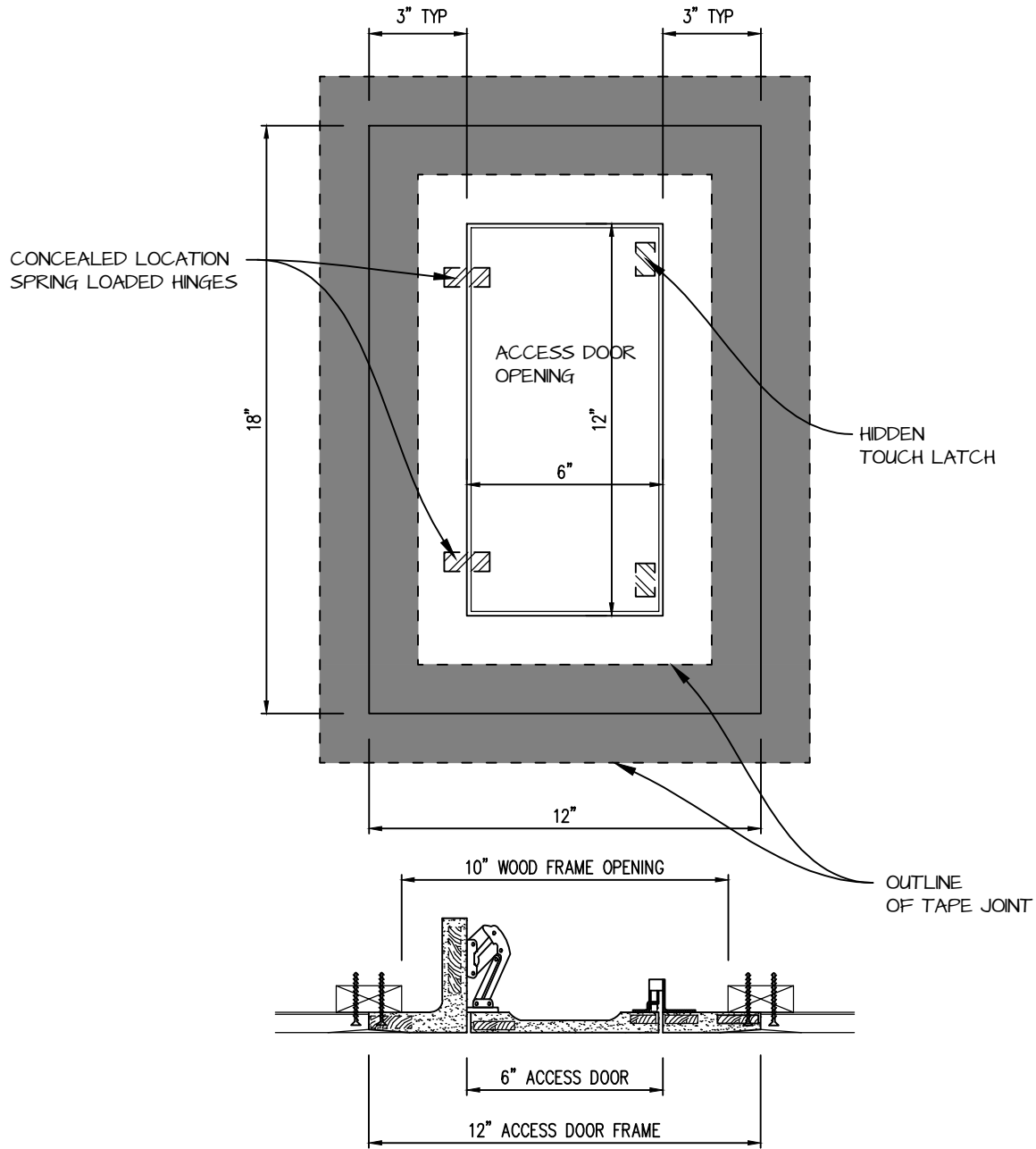



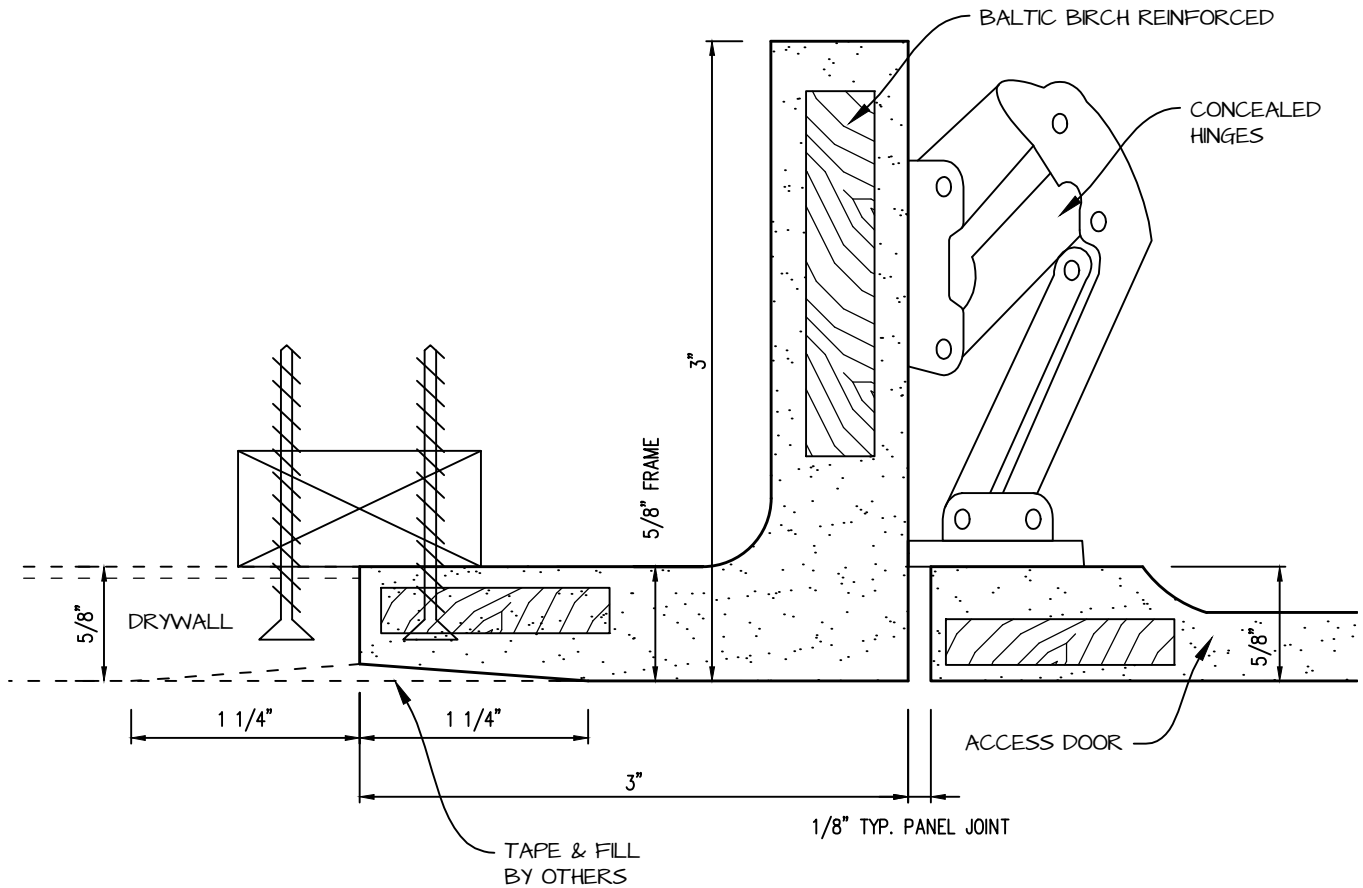
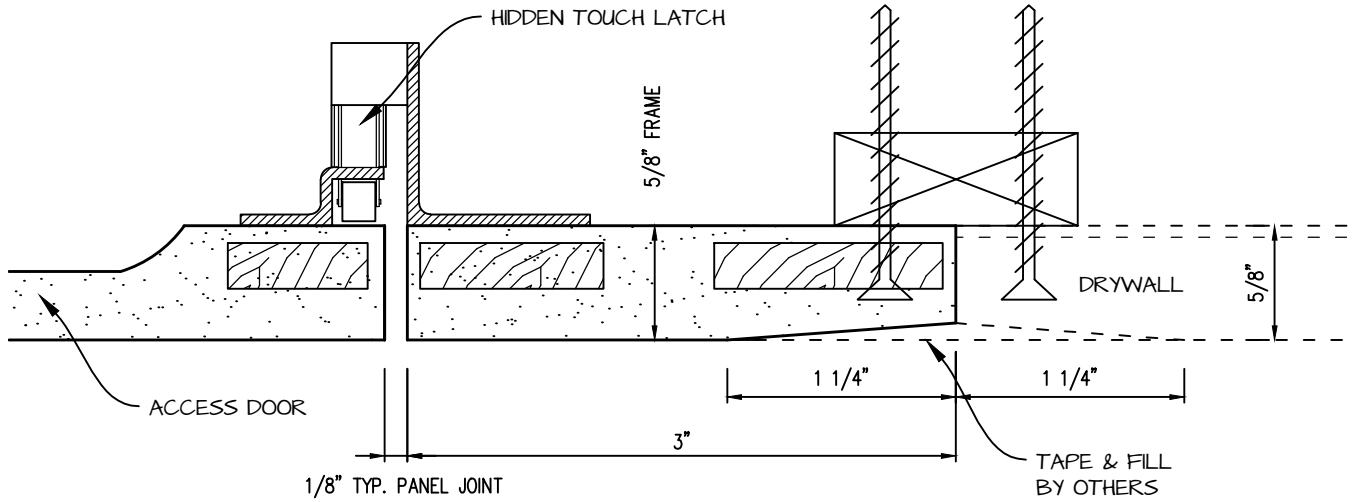
HINGED SQUARE CORNER ACCESS PANEL 6"x12"


GFRG-HG-SQ-580612 (TL)



| | | |
|---|--|---|
|  <p>CASTLE Access Panels & Forms Inc.</p> | <p>CASTLE ACCESS PANELS & FORMS INC. 173 Adesso Drive, Unit 2, Concord ON L4K 3C3 Phone (905)738-8089 Fax (905)760-9234 inquiries@castleaccesspanels.com www.CastleAccessPanels.com</p> | <p>DESIGNED: Q.P DATE:</p> |
| | <p>APPROVED: J.R</p> | |
| CUSTOMER: | PROJECT: | QTY: |
| TITLE: | DWG NO: | SHEET OF |

HINGED GFRG ACCESS PANEL SECTION



| | | | |
|---|--|-----------|-----|
|  <p>CASTLE Access Panels & Forms Inc.</p> | <p>CASTLE ACCESS PANELS & FORMS INC. 173 Adesso Drive, Unit 2, Concord ON L4K 3C3 Phone (905)738-8089 Fax (905)760-9234 inquiries@castleaccesspanels.com www.CastleAccessPanels.com</p> | DESIGNED: | Q.P |
| | | DATE: | |
| | | APPROVED: | J.R |
| CUSTOMER: | PROJECT: | QTY: | |
| TITLE: | DWG NO: | SHEET OF | |