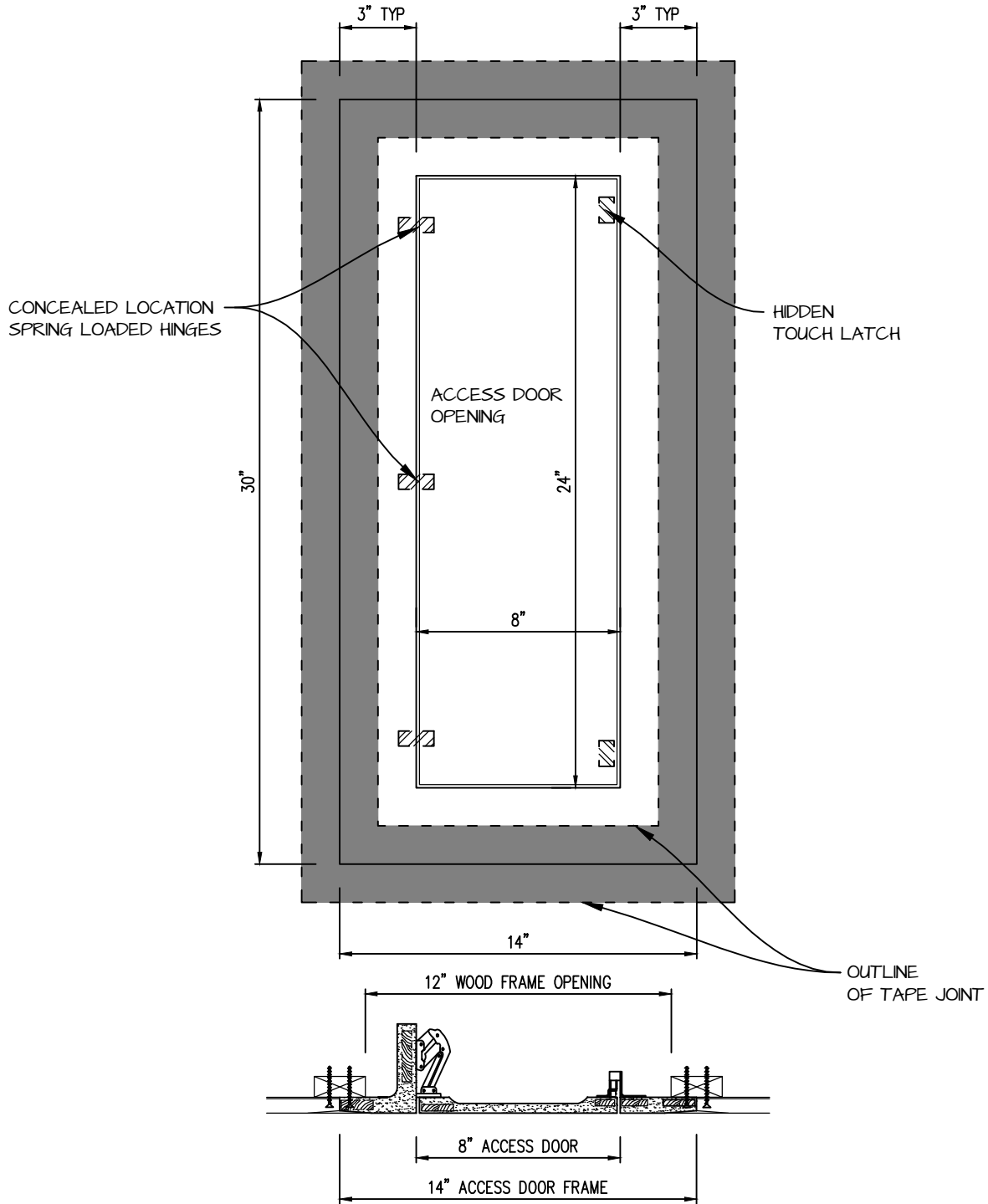


HINGED SQUARE CORNER ACCESS PANEL 8"x24"

GFRG-HG-SQ-580824 (TL)



CASTLE ACCESS PANELS & FORMS INC.
 173 Adesso Drive, Unit 2, Concord ON L4K 3C3
 Phone (905)738-8089 Fax (905)760-9234
 inquiries@castleaccesspanels.com
www.CastleAccessPanels.com

DESIGNED: Q.P
 DATE:

APPROVED: J.R

CUSTOMER:

PROJECT:

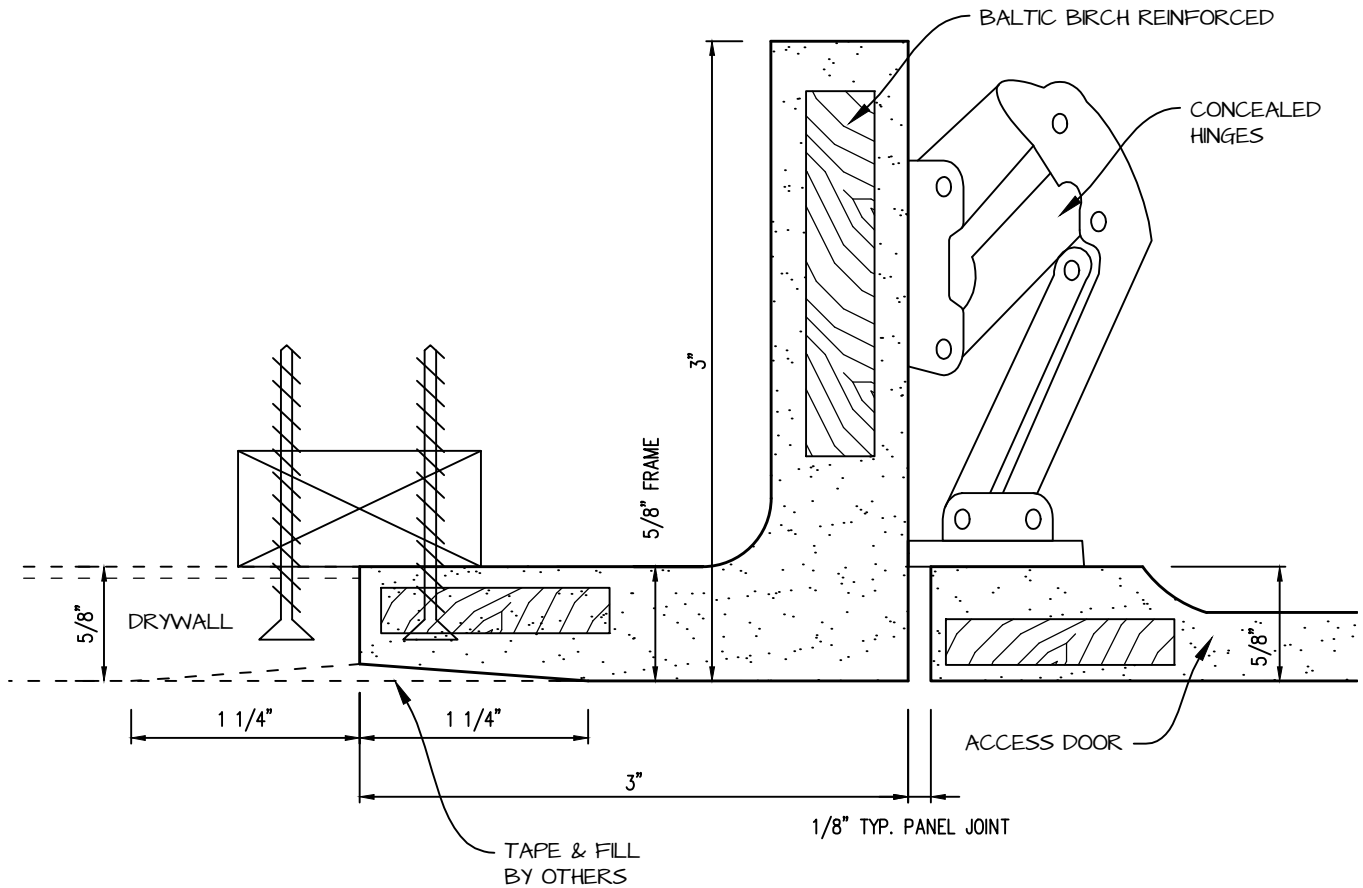
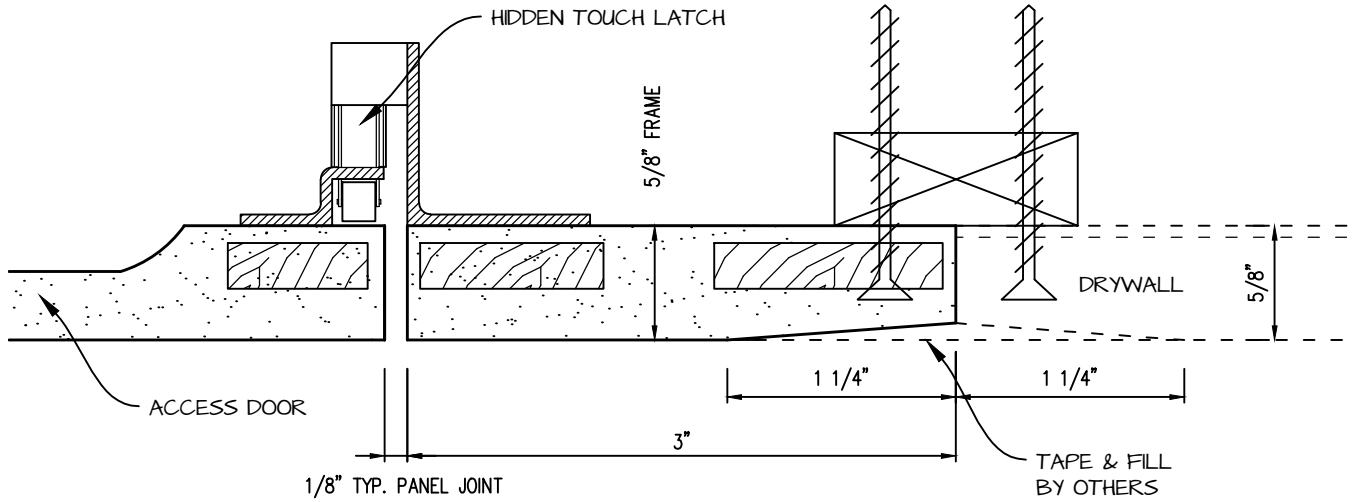
QTY:


TITLE:

DWG NO:

SHEET OF

HINGED GFRG ACCESS PANEL SECTION



 CASTLE Access Panels & Forms Inc.	CASTLE ACCESS PANELS & FORMS INC. 173 Adesso Drive, Unit 2, Concord ON L4K 3C3 Phone (905)738-8089 Fax (905)760-9234 inquiries@castleaccesspanels.com www.CastleAccessPanels.com	DESIGNED: Q.P. DATE:
	CUSTOMER:	PROJECT:
TITLE:	DWG NO:	QTY: SHEET OF