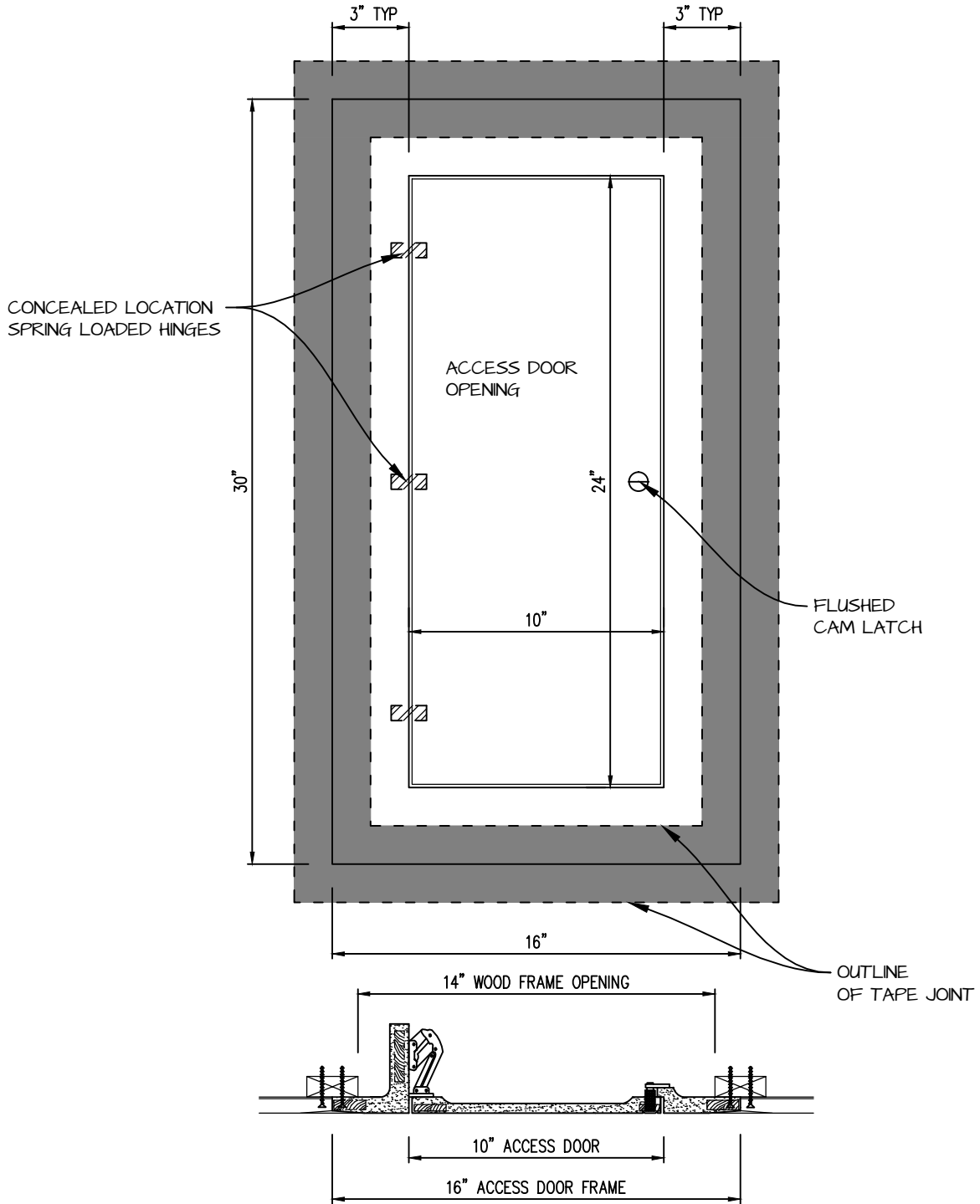



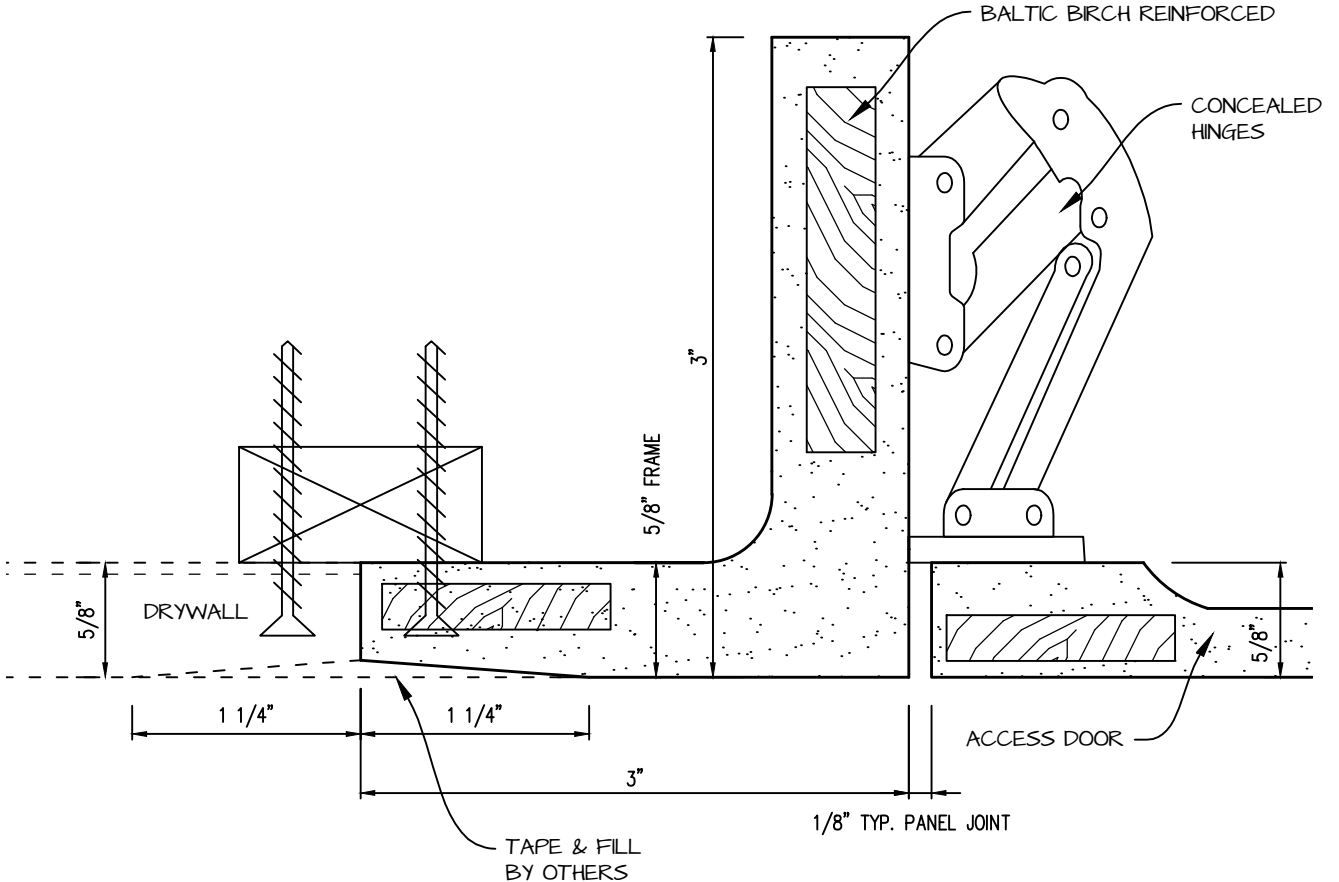
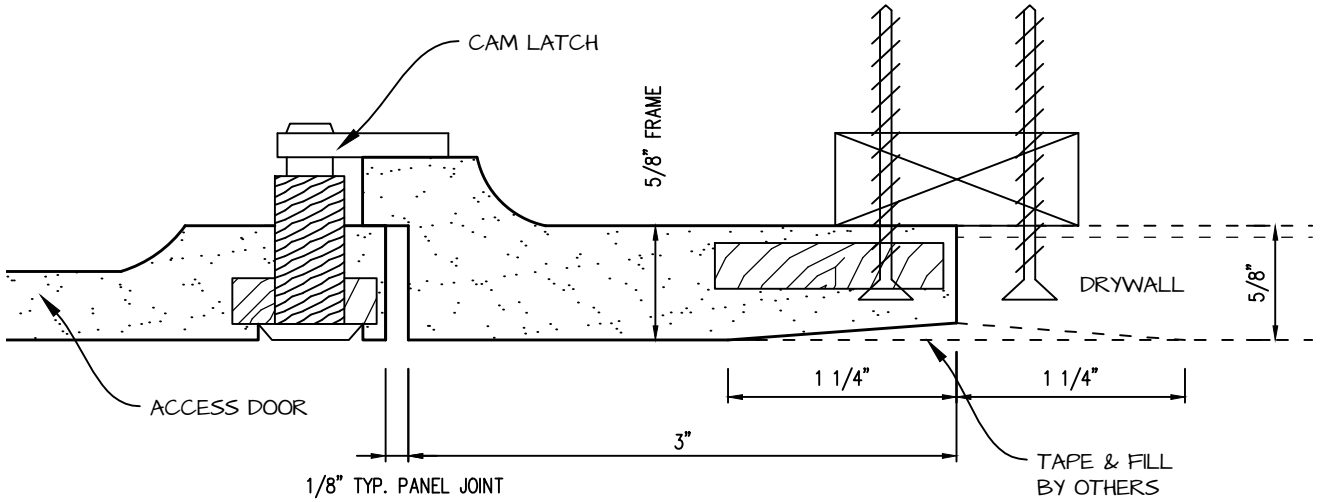
# HINGED SQUARE CORNER ACCESS PANEL 10"x24"


## GFRG-HG-SQ-581024



|   |  |           |     |
|---|--|-----------|-----|
|  <p><b>CASTLE</b><br/>Access Panels &amp; Forms Inc.</p> | <p><b>CASTLE ACCESS PANELS &amp; FORMS INC.</b><br/>                 173 Adesso Drive, Unit 2, Concord ON L4K 3C3<br/>                 Phone (905)738-8089 Fax (905)760-9234<br/>                 inquiries@castleaccesspanels.com<br/> <a href="http://www.CastleAccessPanels.com">www.CastleAccessPanels.com</a></p> | DESIGNED: | Q.P |
|   |  | DATE:     |     |
|   |  | APPROVED: | J.R |
| CUSTOMER:   | PROJECT:   | QTY:      |     |
| TITLE:  | DWG NO:  | SHEET OF  |     |

# HINGED GFRG ACCESS PANEL SECTION



|   |  |                         |
|---|--|-------------------------|
|  <p><b>CASTLE</b><br/>Access Panels &amp; Forms Inc.</p> | <p><b>CASTLE ACCESS PANELS &amp; FORMS INC.</b><br/>                 173 Adesso Drive, Unit 2, Concord ON L4K 3C3<br/>                 Phone (905)738-8089 Fax (905)760-9234<br/>                 inquiries@castleaccesspanels.com<br/> <a href="http://www.CastleAccessPanels.com">www.CastleAccessPanels.com</a></p> | DESIGNED: Q.P.<br>DATE: |
|   | APPROVED: J.R.   |                         |
| CUSTOMER:   | PROJECT:   | QTY:                    |
| TITLE:  | DWG NO:  | SHEET OF                |