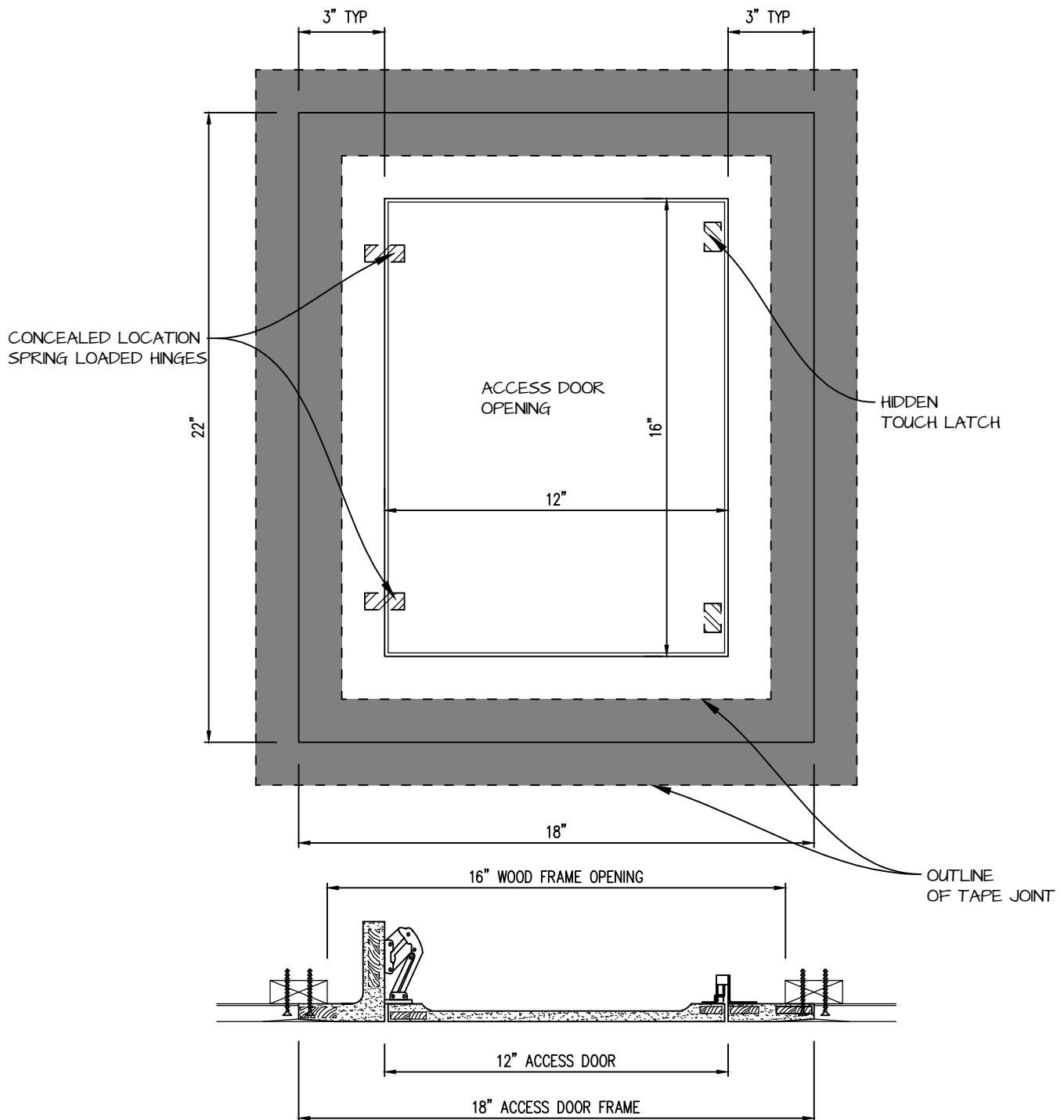



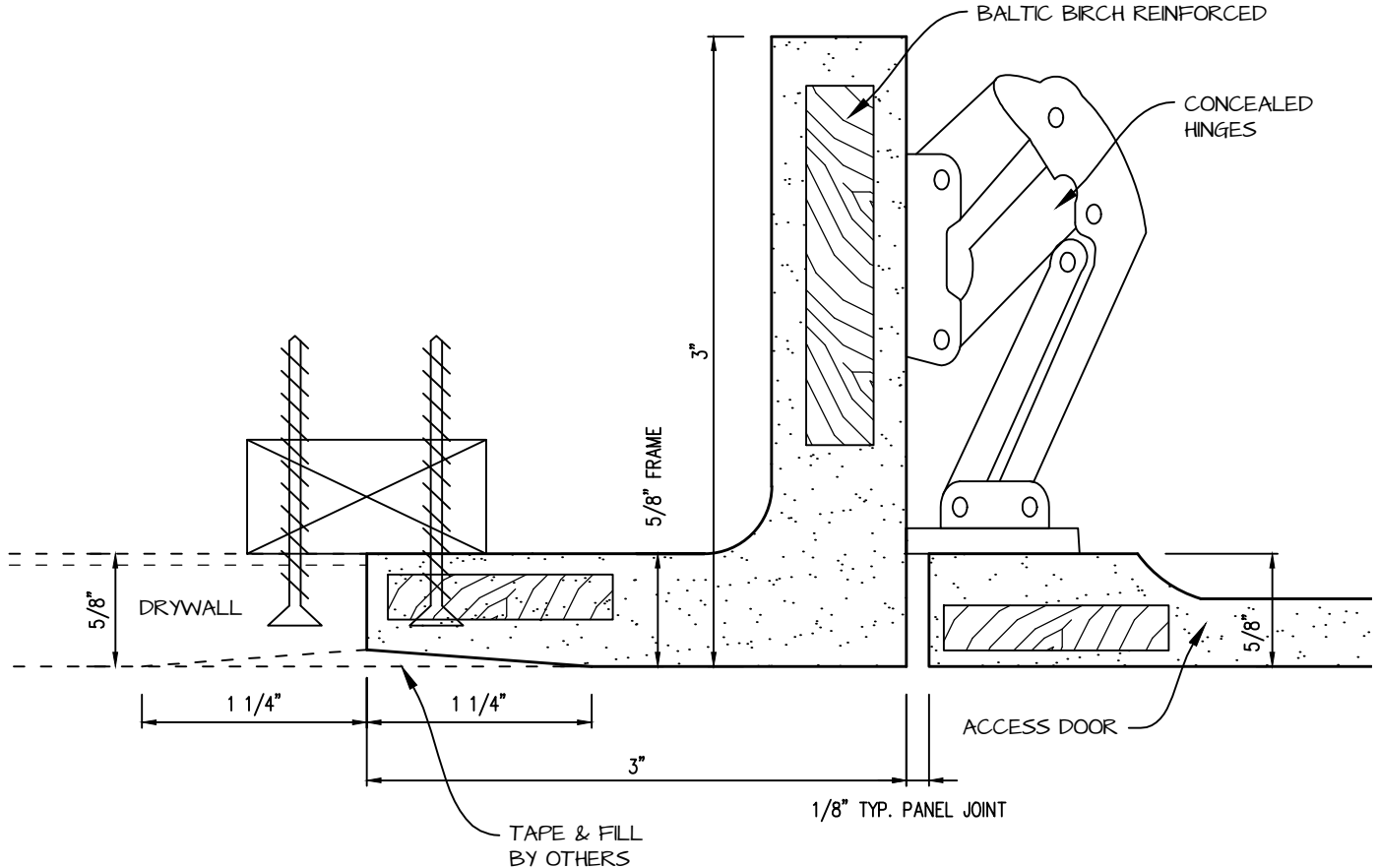
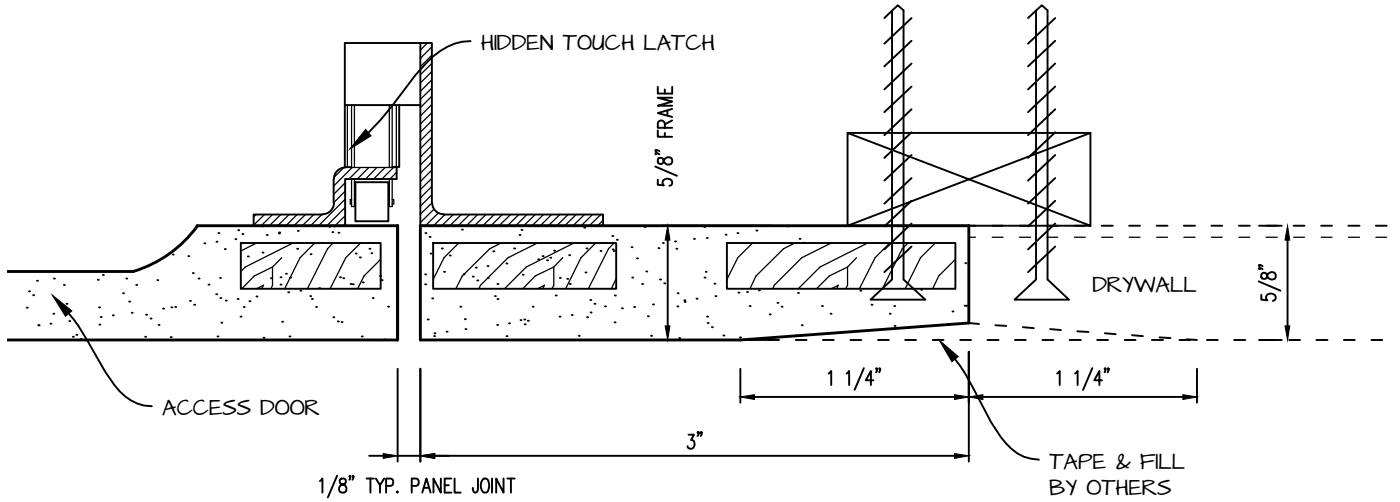
HINGED SQUARE CORNER ACCESS PANEL 12"x16"


GFRG-HG-SQ-581216 (TL)



| | | | |
|--|--|-------------------------|--|
|  CASTLE [™] <small>Access Panels & Forms Inc.</small> | CASTLE ACCESS PANELS & FORMS INC. 173 Adesso Drive, Unit 2, Concord ON L4K 3C3 Phone (905)738-8089 Fax (905)760-9234 inquiries@castleaccesspanels.com www.CastleAccessPanels.com | DESIGNED: Q.P. DATE: | |
| | | APPROVED: J.R. | |
| CUSTOMER: | PROJECT: | QTY: | |
| TITLE: | DWG NO: | SHEET OF | |

HINGED GFRG ACCESS PANEL SECTION



| | | |
|---|--|---------------|
|  <p>CASTLE Access Panels & Forms Inc.</p> | <p>CASTLE ACCESS PANELS & FORMS INC. 173 Adesso Drive, Unit 2, Concord ON L4K 3C3 Phone (905)738-8089 Fax (905)760-9234 inquiries@castleaccesspanels.com www.CastleAccessPanels.com</p> | DESIGNED: Q.P |
| | | DATE: |
| | | APPROVED: J.R |
| CUSTOMER: | PROJECT: | QTY: |
| TITLE: | DWG NO: | SHEET OF |