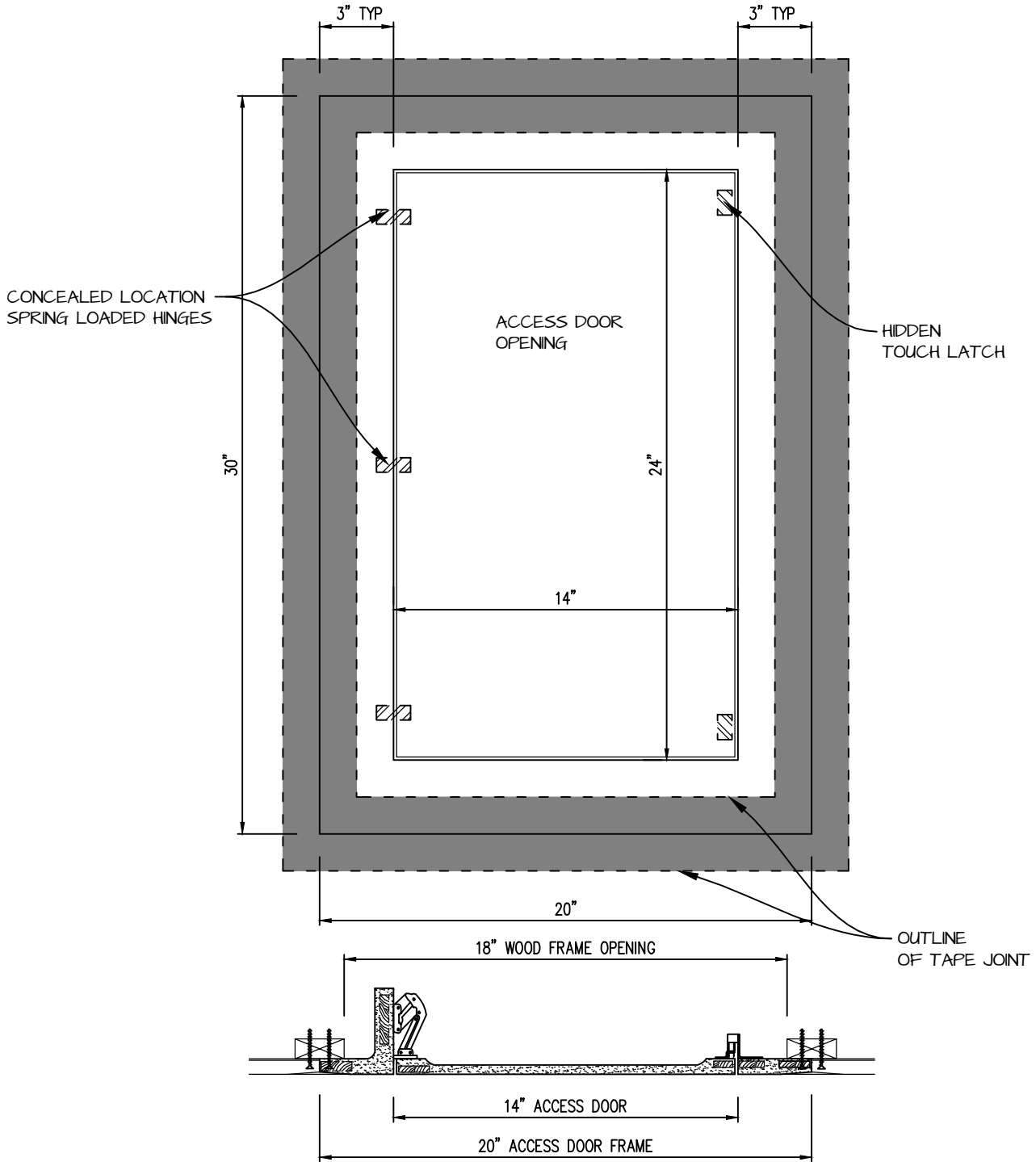


**HINGED SQUARE CORNER ACCESS PANEL 14"x24"**  
**GFRG-HG-SQ-581424 (TL)**



**CASTLE ACCESS PANELS & FORMS INC.**  
 173 Adesso Drive, Unit 2, Concord ON L4K 3C3  
 Phone (905)738-8089 Fax (905)760-9234  
 inquiries@castleaccesspanels.com  
[www.CastleAccessPanels.com](http://www.CastleAccessPanels.com)

DESIGNED: Q.P  
 DATE:

APPROVED: J.R

CUSTOMER:

PROJECT:

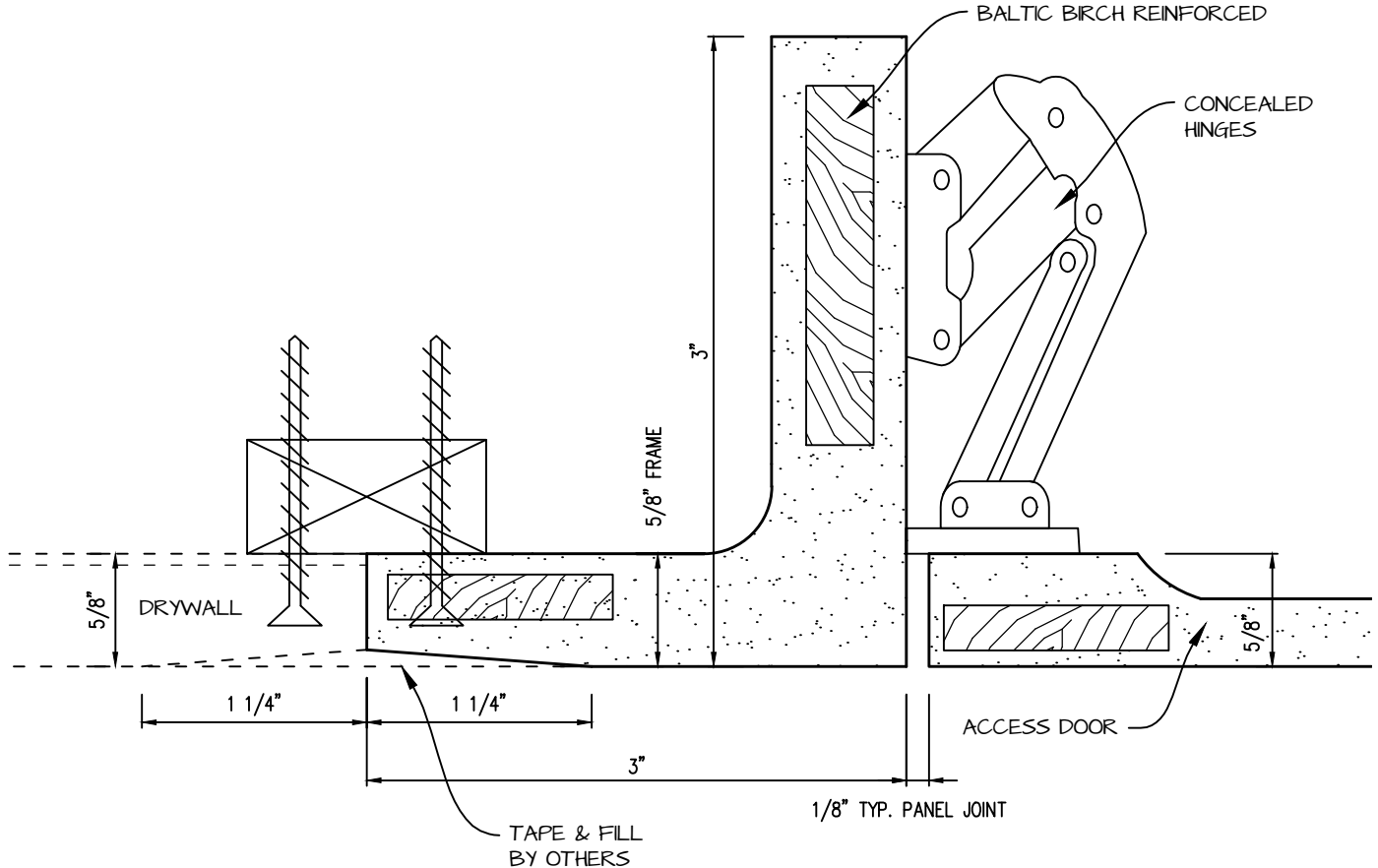
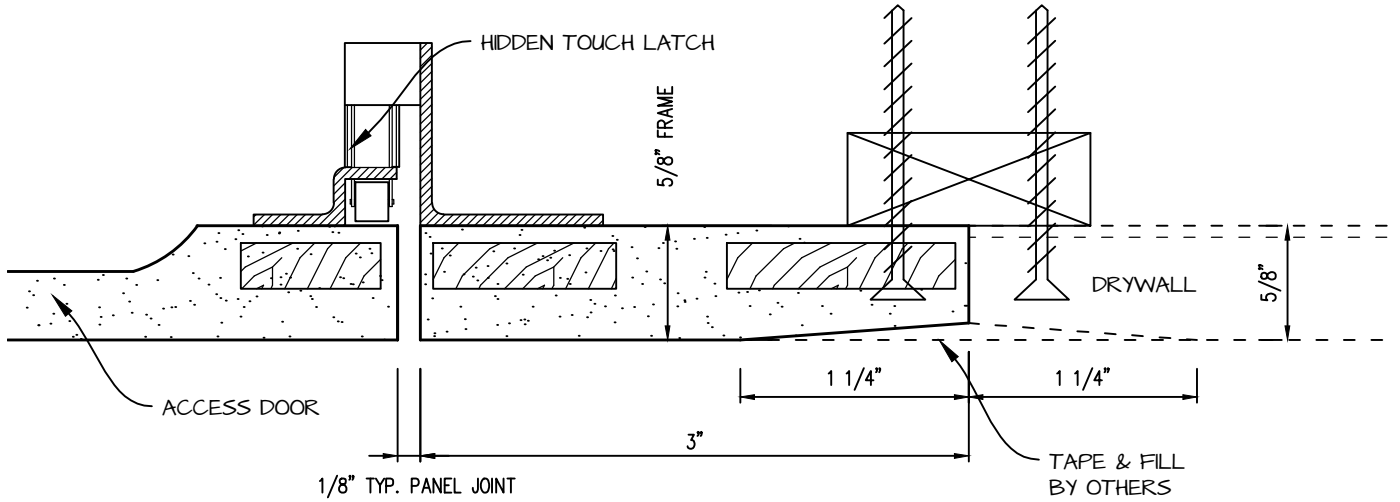
QTY:


TITLE:

DWG NO:

SHEET OF

# HINGED GFRG ACCESS PANEL SECTION



|   |  |               |
|---|--|---------------|
|  <p><b>CASTLE</b><br/>Access Panels &amp; Forms Inc.</p> | <p><b>CASTLE ACCESS PANELS &amp; FORMS INC.</b><br/>                 173 Adesso Drive, Unit 2, Concord ON L4K 3C3<br/>                 Phone (905)738-8089 Fax (905)760-9234<br/>                 inquiries@castleaccesspanels.com<br/> <a href="http://www.CastleAccessPanels.com">www.CastleAccessPanels.com</a></p> | DESIGNED: Q.P |
|   |  | DATE:         |
|   |  | APPROVED: J.R |
| CUSTOMER:   | PROJECT:   | QTY:          |
| TITLE:  | DWG NO:  | SHEET OF      |