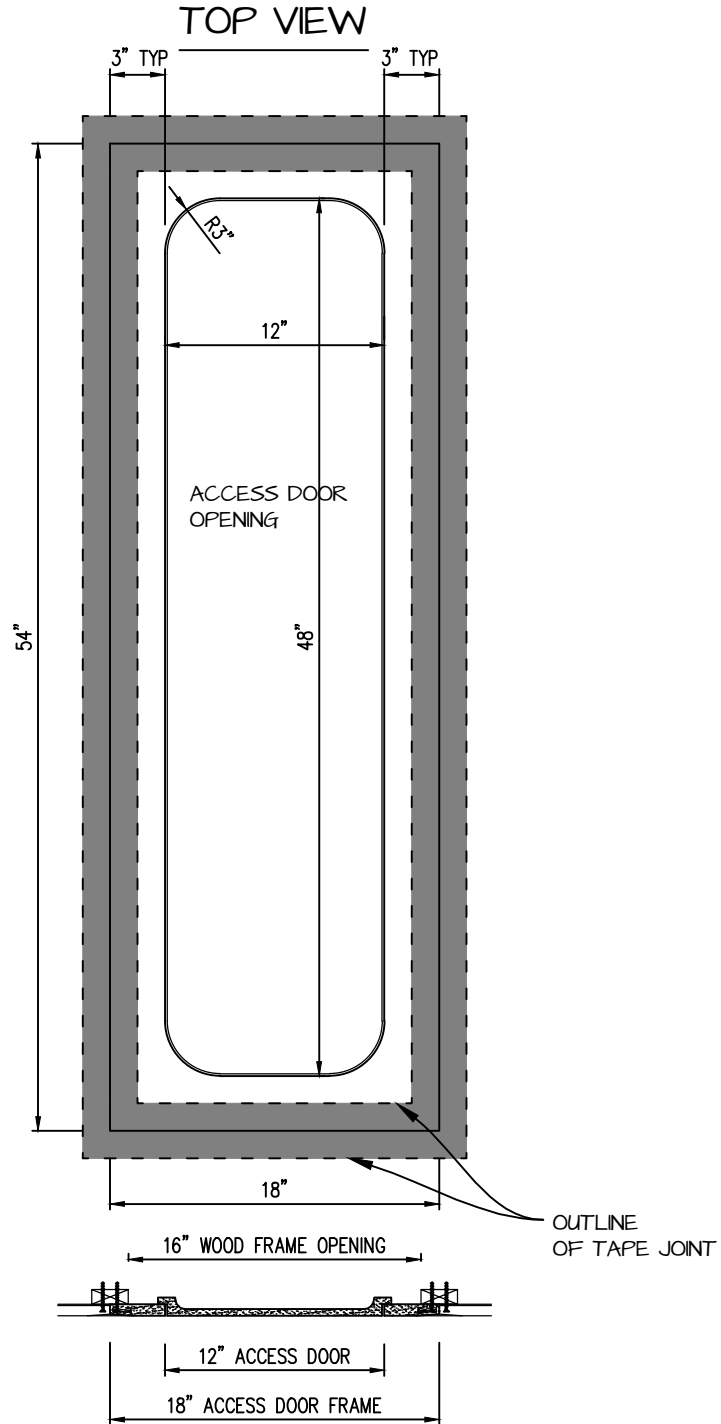

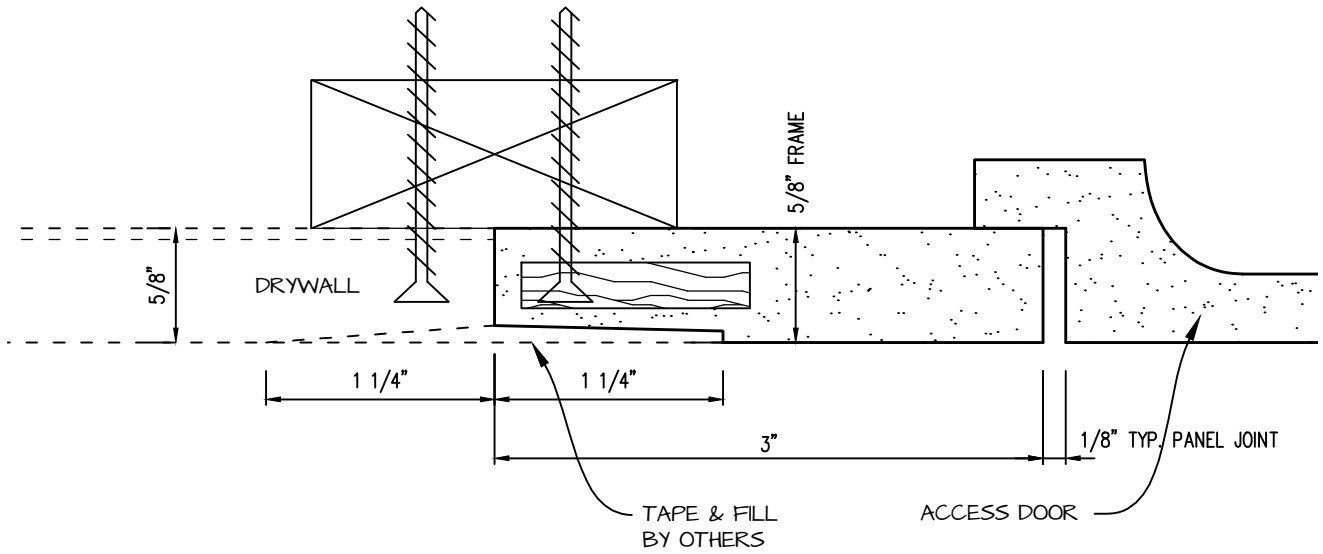
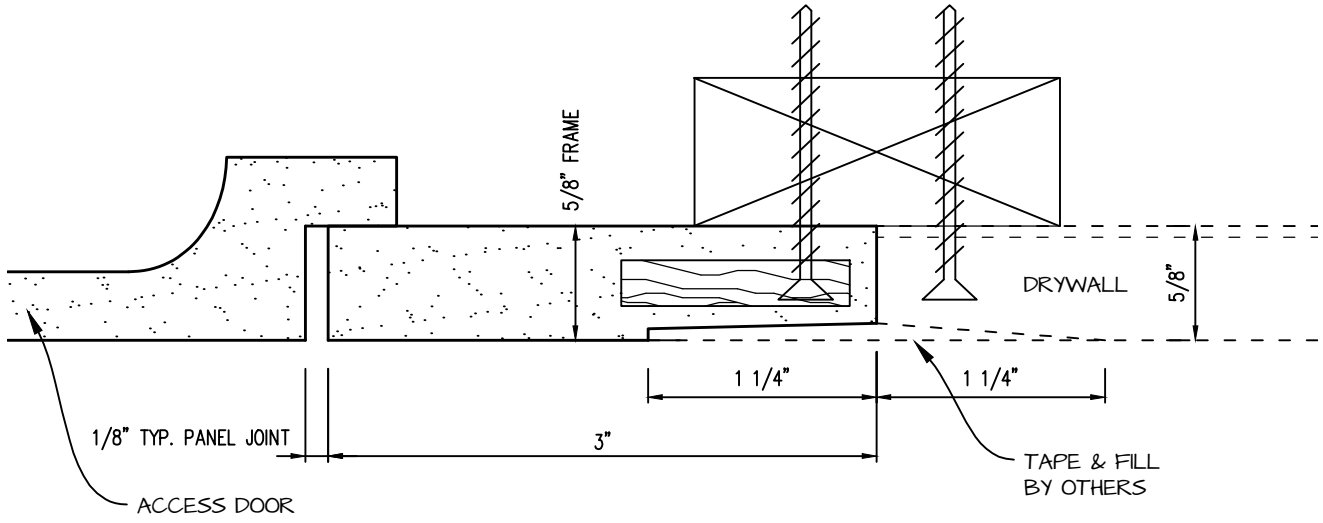



**POP OUT RADIUS CORNER ACCESS PANEL 12"x48"**  
**GFRG-RC-581248**



|   |               |          |
|---|---------------|----------|
|  <p><b>CASTLE ACCESS PANELS &amp; FORMS INC.</b><br/>         173 Adesso Drive, Unit 2, Concord ON L4K 3C3<br/>         Phone (905)738-8089      Fax (905)760-9234<br/>         inquiries@castleaccesspanels.com<br/> <a href="http://www.CastleAccessPanels.com">www.CastleAccessPanels.com</a></p> | DESIGNED: Q.P |          |
|   | DATE:         |          |
|   | APPROVED: J.R |          |
| CUSTOMER:   | PROJECT:      | QTY:     |
| TITLE:  | DWG NO:       | SHEET OF |

# POP-OUT GFRG ACCESS PANEL SECTION



|  |               |          |
|--|---------------|----------|
|  <p><b>CASTLE ACCESS PANELS &amp; FORMS INC.</b><br/>         173 Adesso Drive, Unit 2, Concord ON L4K 3C3<br/>         Phone (905)738-8089 Fax (905)760-9234<br/>         inquiries@castleaccesspanels.com<br/> <a href="http://www.CastleAccessPanels.com">www.CastleAccessPanels.com</a></p> | DESIGNED: Q.P |          |
|  | DATE:         |          |
|  | APPROVED: J.R |          |
| CUSTOMER:  | PROJECT:      | QTY:     |
| TITLE:   | DWG NO:       | SHEET OF |