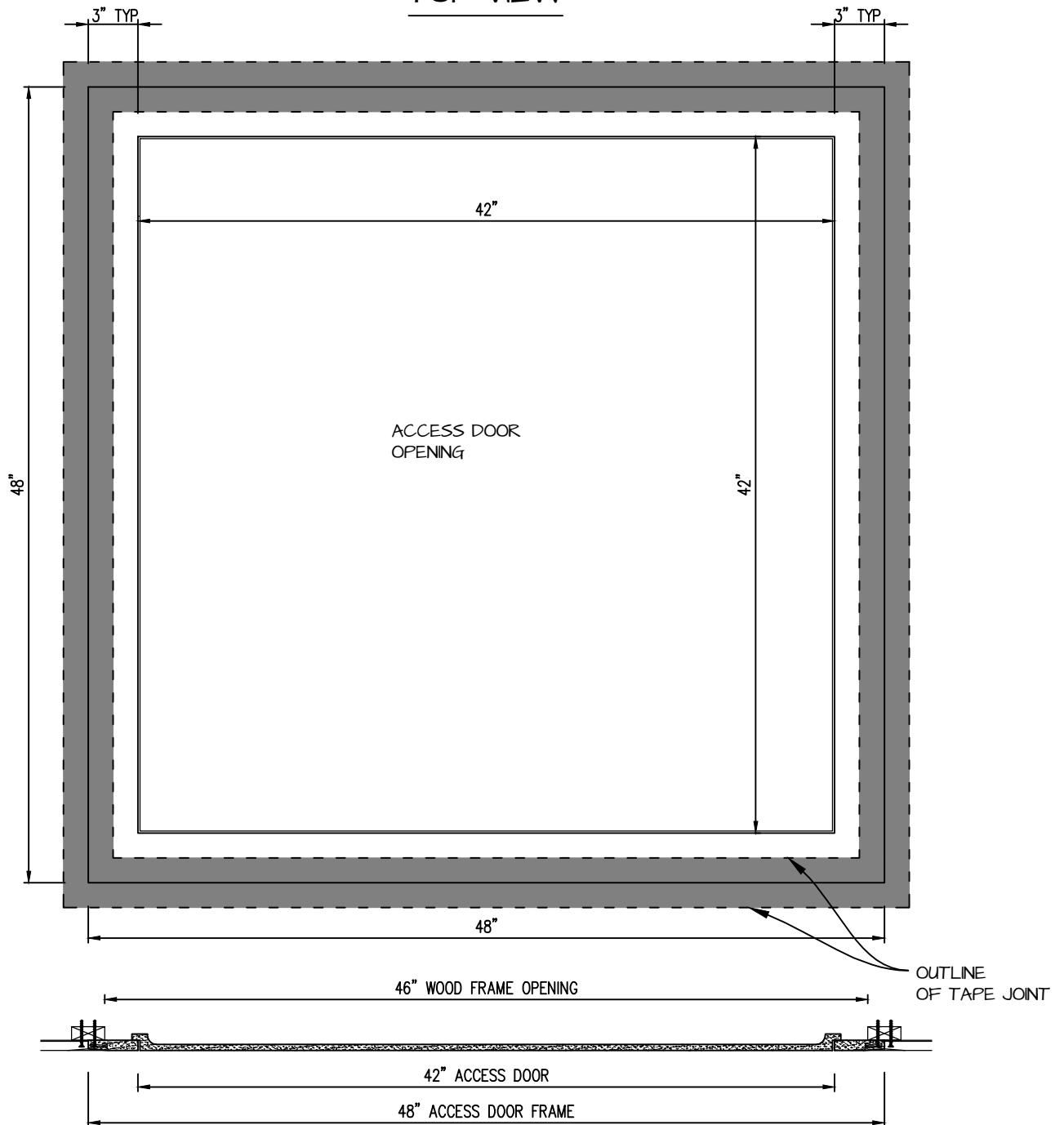


**POP OUT SQUARE CORNER ACCESS PANEL 42"x42"**  
**GFRG-SQ-580042**

TOP VIEW



**CASTLE ACCESS PANELS & FORMS INC.**  
 173 Adesso Drive, Unit 2, Concord ON L4K 3C3  
 Phone (905)738-8089 Fax (905)760-9234  
 inquiries@castleaccesspanels.com  
[www.CastleAccessPanels.com](http://www.CastleAccessPanels.com)

DESIGNED: Q.P  
 DATE:

APPROVED: J.R

CUSTOMER:

PROJECT:

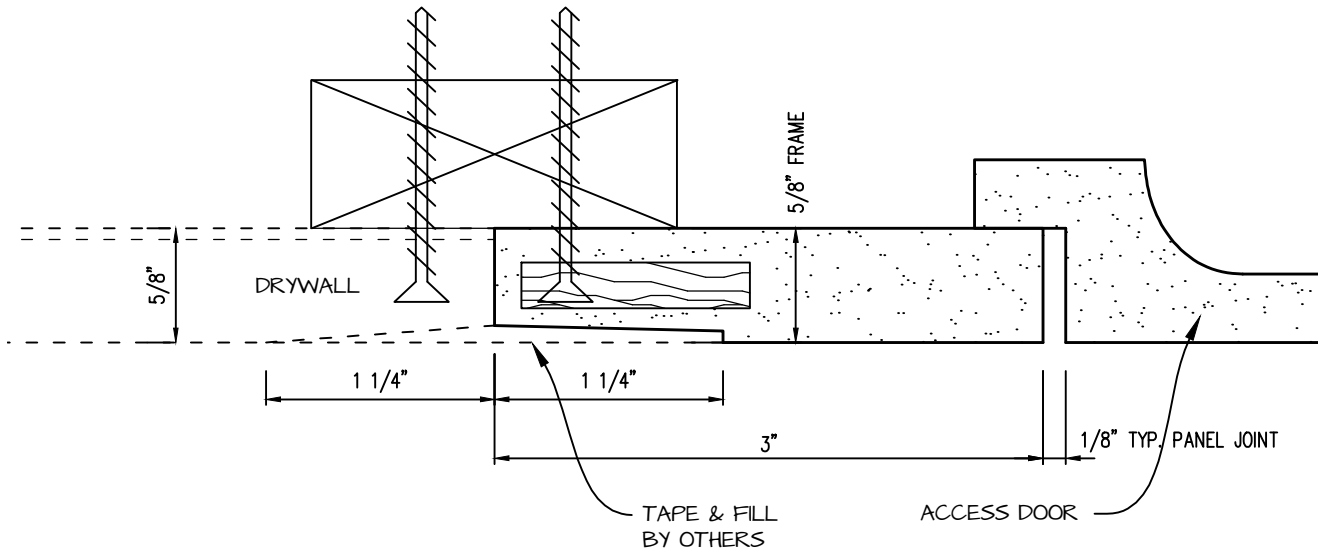
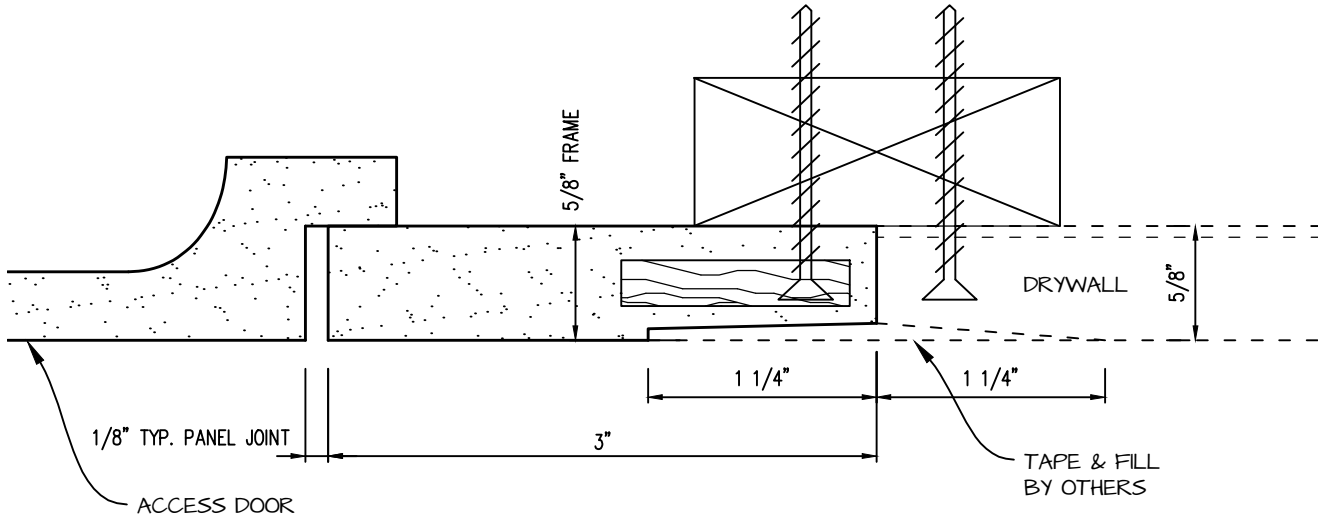
QTY:


TITLE:

DWG NO:

SHEET OF

# POP-OUT GFRG ACCESS PANEL SECTION



|  |               |          |
|--|---------------|----------|
|  <p><b>CASTLE ACCESS PANELS &amp; FORMS INC.</b><br/>         173 Adesso Drive, Unit 2, Concord ON L4K 3C3<br/>         Phone (905)738-8089 Fax (905)760-9234<br/>         inquiries@castleaccesspanels.com<br/> <a href="http://www.CastleAccessPanels.com">www.CastleAccessPanels.com</a></p> | DESIGNED: Q.P |          |
|  | DATE:         |          |
|  | APPROVED: J.R |          |
| CUSTOMER:  | PROJECT:      | QTY:     |
| TITLE:   | DWG NO:       | SHEET OF |