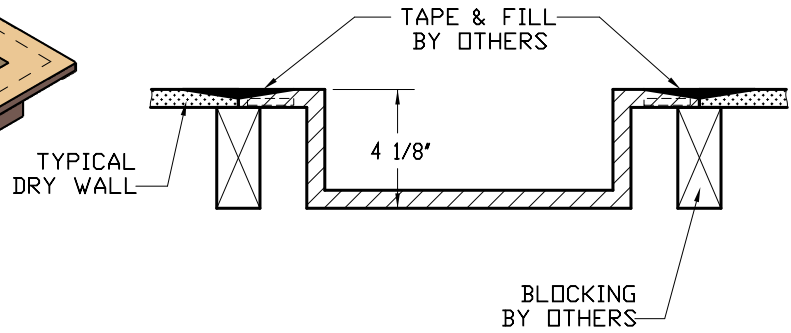
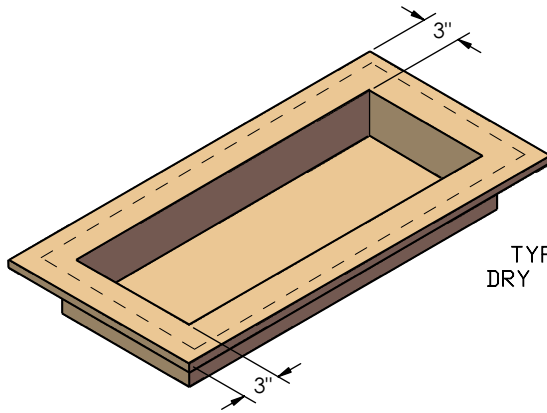


INSET NICHES

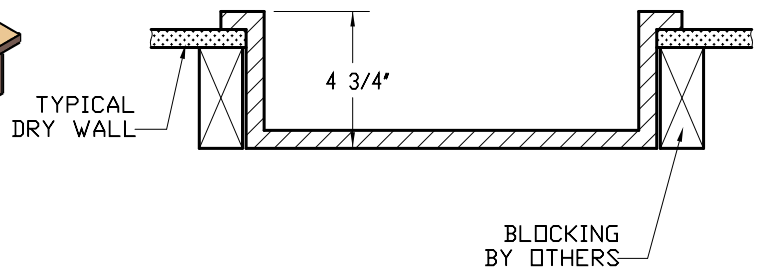
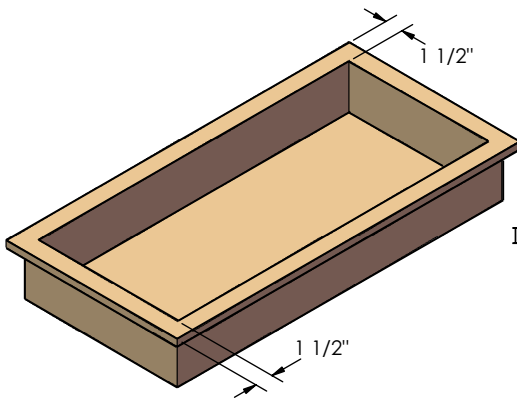
G.R.G., CAST STONE, POLISHED STONE

Submittal

MODEL - A



MODEL - B



For 18" Stud Centres Frame

Outside Measurements	
WIDTH	HEIGHT
16"	8"
16"	16"
16"	22"
16"	32"

For 22" Stud Centres Frame

Outside Measurements	
WIDTH	HEIGHT
22"	8"
22"	16"
22"	22"
22"	32"



173 Adesso Drive, Unit 2
 Concord ON L4K 3C3
 Phone (905)761-7404
 Fax (905)760-9234
 inquiries@castleaccesspanels.com
 www.CastleAccessPanels.com

STANDARD DETAILS FOR INSET NICHES

AVAILABLE IN

CASTLE G.R.G.
CAST STONE
POLISHED STONE

Glassfiber Reinforced Gypsum for interior use, requires field finishing.
 Glassfiber Reinforced Cast Stone for interior use, colours are cast in.
 Glassfiber Reinforced Cement Polished Stone for interior use, colours are cast in.