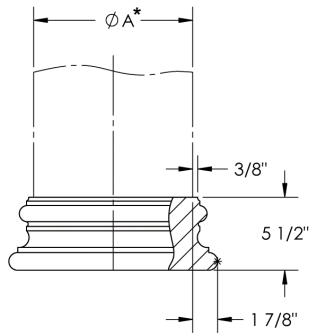


Column Cover - BASES

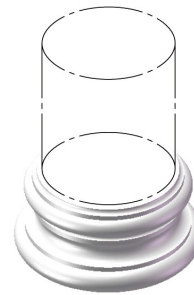
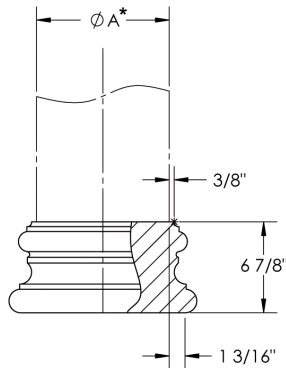
G.R.G., G.R.C., CAST STONE, POLISHED STONE

Submittal

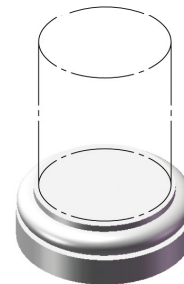
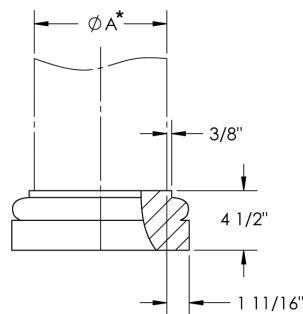
5 5 1 0



5 5 2 0



5 5 3 0



MANUFACTURED IN HALVES/180°

* ϕA - STANDARD COLUMN BASE DIAMETERS AVAILABLE IN:

8", 9", 10", 11", 12", 13", 14", 15", 16", 18", 20", 21", 22", 24", 26", 27", 28", 30", 34", 36", 39", 42", 48".



173 Adesso Drive, Unit 2
Concord ON L4K 3C3
Phone (905)761-7404
Fax (905)760-9234
inquiries@castleaccesspanels.com
www.CastleAccessPanels.com

STANDARD DETAILS FOR ROUND COLUMN BASES

AVAILABLE IN
CASTLE G.R.G.
CASTLE EP*
CAST STONE
POLISHED STONE

Glassfiber Reinforced Gypsum for interior use, requires field finishing.
Glassfiber Reinforced Cement for exterior use, requires joint caulking and field finishing.
Glassfiber Reinforced Cast Stone for interior use, colours are cast in.
Glassfiber Reinforced Cement Polished Stone for interior use, colours are cast in.