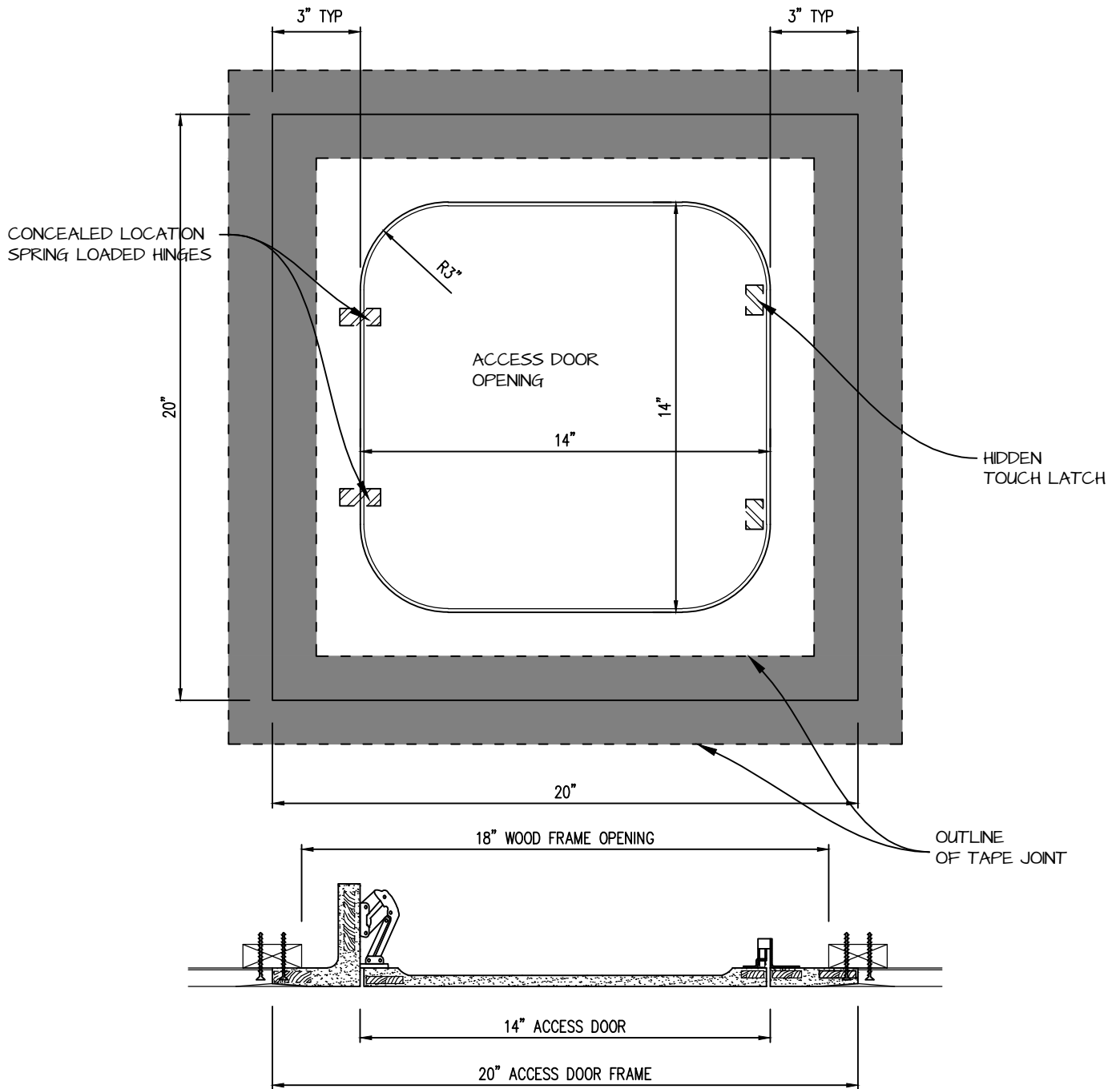



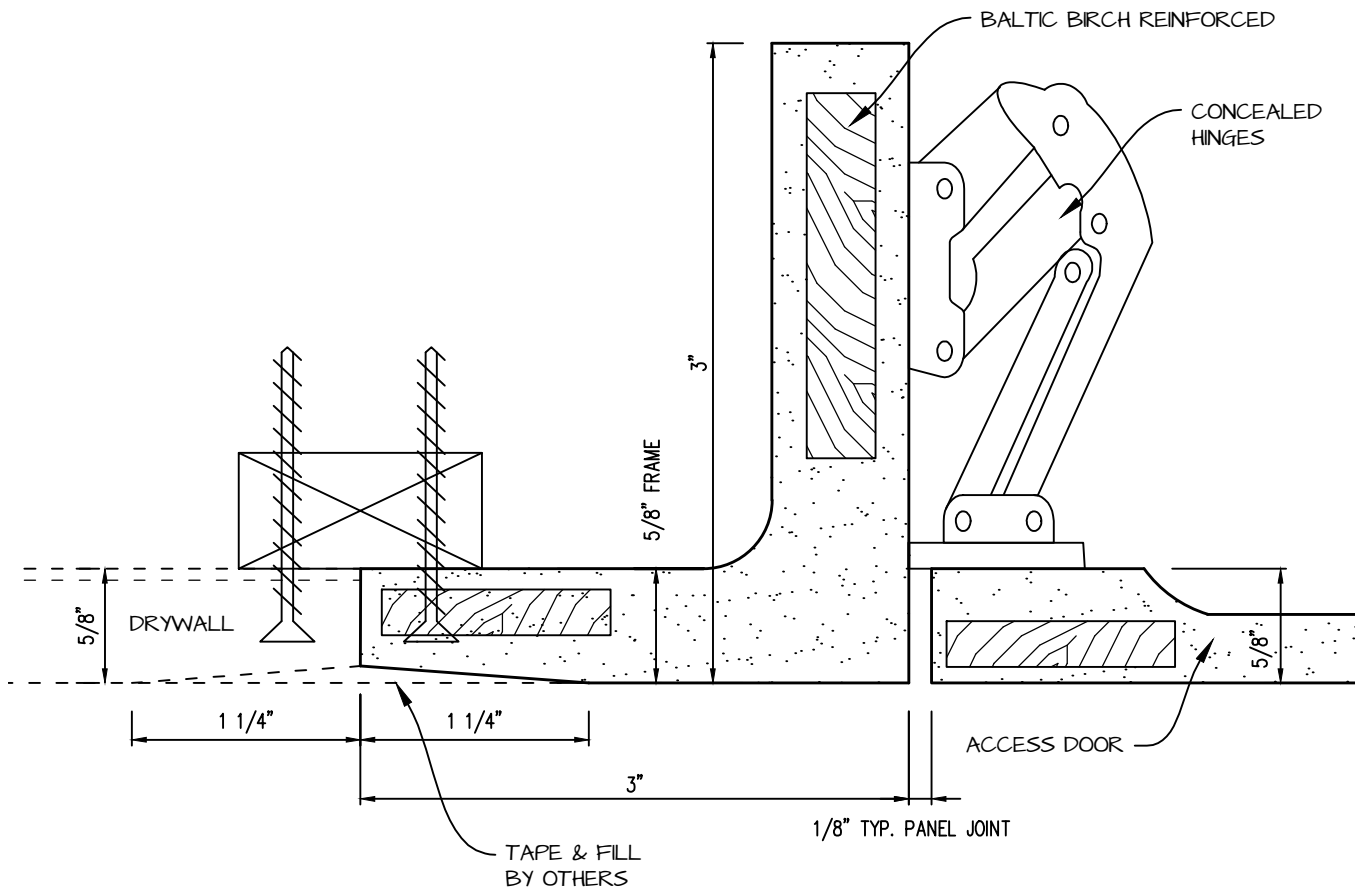
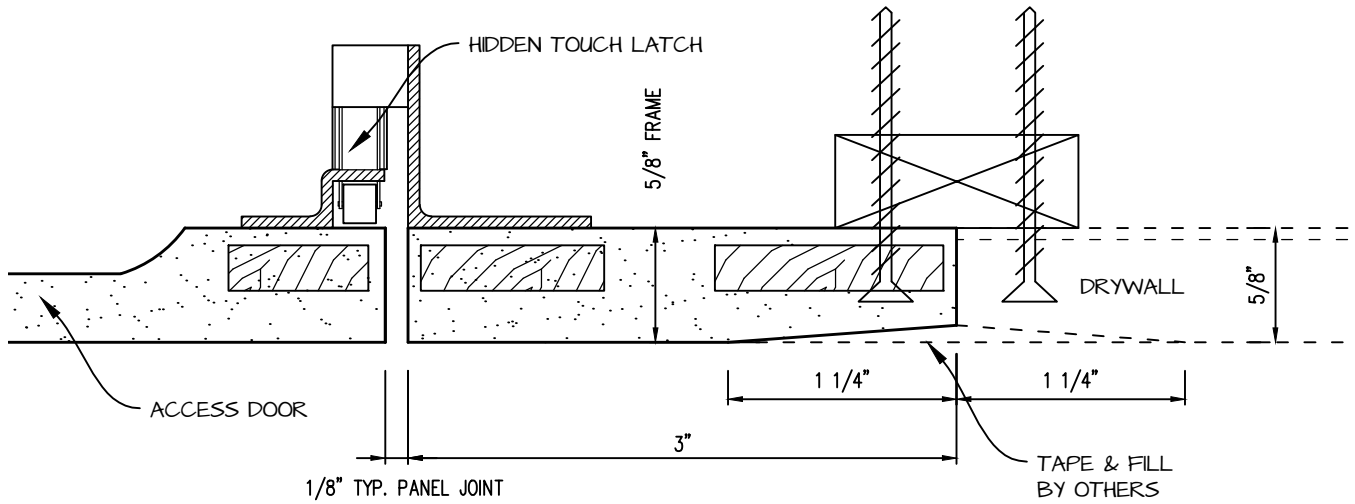
HINGED RADIUS CORNER ACCESS PANEL 14"x14"


GFRG-HG-RC-580014 (TL)



| | | |
|--|---|-------------------------|
|  CASTLE [™] <small>Access Panels & Forms Inc.</small> | CASTLE ACCESS PANELS & FORMS INC. 173 Adesso Drive, Unit 2, Concord ON L4K 3C3 Phone (905)738-8089 Fax (905)760-9234 inquiries@castleaccesspanels.com www.CastleAccessPanels.com | DESIGNED: Q.P. DATE: |
| | CUSTOMER: | PROJECT: |
| TITLE: | DWG NO: | QTY: SHEET OF |

HINGED GFRG ACCESS PANEL SECTION



| | | |
|---|--|-------------------------|
|  <p>CASTLE Access Panels & Forms Inc.</p> | <p>CASTLE ACCESS PANELS & FORMS INC. 173 Adesso Drive, Unit 2, Concord ON L4K 3C3 Phone (905)738-8089 Fax (905)760-9234 inquiries@castleaccesspanels.com www.CastleAccessPanels.com</p> | DESIGNED: Q.P. DATE: |
| | CUSTOMER: | PROJECT: |
| TITLE: | DWG NO: | QTY: SHEET OF |